

PHILIPS

Certaflux

LED system

Certaflux DLM ES CL



Datasheet

PHILIPS Certaflux DLM ES CL

CertaFlux DLM ES CL is to provide a good replacement for TLE from LED solution in general lighting. This range product offers longer life time & efficient lighting solution for residential and commercial application.

It is consistent with other CertaFlux EaseSelect families of modules, delivering simple selection of lighting solution in one system. It also provides easy designs via easy wiring/assembly.

Key features and benefits

- Low flicker
- Ease of design-in and flexible for installation
- High efficacy of up to 100 lm/W
- Long life-time: 25,000 hours
- Full portfolio with all typical downlight lumen packages (1500 lm and 1900 lm) and different CCTs (3000 and 6500 K)
- Enable Class II luminaire design



Ordering Data

12NC	Commercial Product Name
9290 009 94080	Certaflux DLM ES 1500/830 CL G1
9290 009 94180	Certaflux DLM ES 1500/865 CL G1
9290 009 94480	Certaflux DLM ES 1900/830 CL G1
9290 009 94580	Certaflux DLM ES 1900/865 CL G1

Case Temperature

Parameter	Nominal*	Life**	Max***	Unit
Tc (Case temperature at Tc point)	Certaflux DLM ES 1500lm G1	-	<80	°C
Tc (Case temperature at Tc point)	Certaflux DLM ES 1900lm G1	-	<85	°C

* Nominal value at which typical performance is specified

** Value at which lifetime is specified

*** Maximum value for safe operation, do not operate above this value

Electrical Characteristics – CertaFlux DLM ES CL

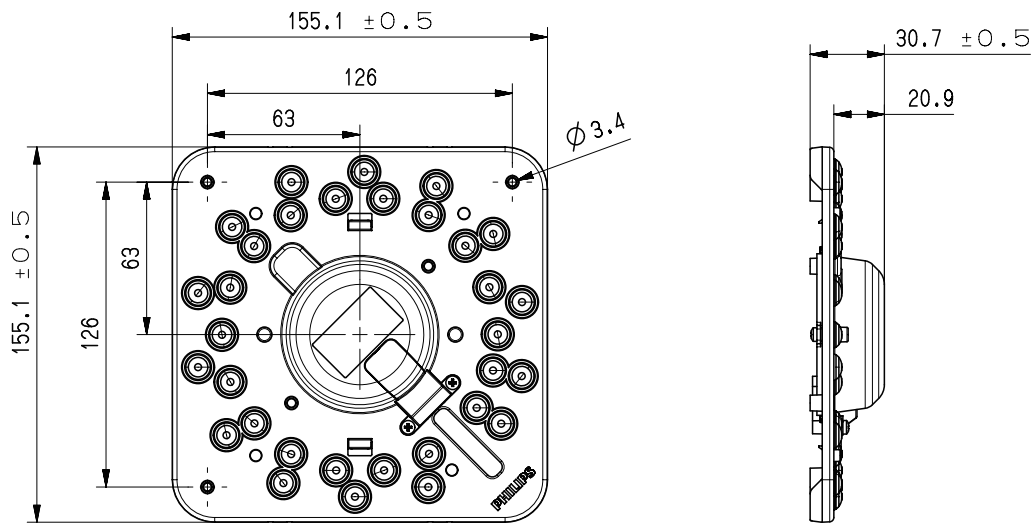
Parameter	Unit	1500/830	1500/865	1900/830	1900/865
Nominal Input Voltage	Vac	220-240	220-240	220-240	220-240
Nominal Input Frequency	Hz	50-60	50-60	50-60	50-60
Power @ 230V AC 50 HZ (typ)	W	14.8	14.8	18.4	18.4
Power Factor @ 230 V AC 50 HZ	-	0.58	0.58	0.56	0.56
Dimming	-	None	None	None	None

Specifications stated at Tc-life

Optical characteristics – CertaFlux DLM ES CL

Parameter	Unit	1500/830	1500/865	1900/830	1900/865
		Typical value			
Luminous Flux	Lm	1379	1500	1748	1900
Efficacy	Lm/W	93	102	95	104
Correlated color temperature (CCT) range	K	3000	6500	3000	6500
CRI	-	>80	>80	>80	>80
Energy Efficiency Label	-				
Radiation Angle	Deg				

Dimensions



© 2019 Signify Holding. All rights reserved.

The information provided herein is subject to change, without notice. Signify does not give any representation or warranty as to the accuracy or completeness of the information included herein and shall not be liable for any action in reliance thereon. The information presented in this document is not intended as any commercial offer and does not form part of any quotation or contract, unless otherwise agreed by Signify. Philips and the Philips Shield Emblem are registered trademarks of Koninklijke Philips N.V. All other trademarks are owned by Signify Holding or their respective owners.

Date of release: January 04, 2019

www.philips.com